

- Over **30** YEARS of Supplying Southern Africa -

BirCRAFT

GEARED MOTORS - LINEAR ACTUATORS & CONTROLLERS



Website: www.bircraft.co.za Fax: 086 694 5806 E-mail: 01@bircraft.co.za International Tel. +27 11 468 1881 Fax. +27 11 468 1698
National Sales: **0861 BIRCRAFT** National Sales: **086 124 7272 BEE Certified**

SHORT FORM SELECTION

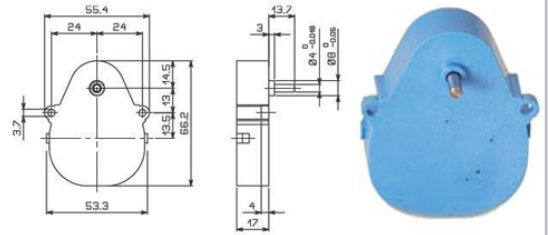
Synchronise, DC & Stepper - Micro Gear Motors

Applications: Vending, Timers, Clocks, Peristaltic Pumps, Chart Recorders, Mixers / Stirrers, Advertising & Office Equipment, Labeling & Medical Machines, Ice makers, Potentiometers and many others.

Other products and ratios available on request

* Special import

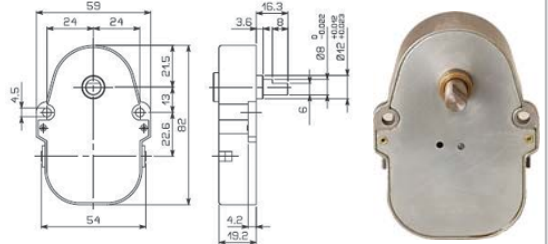
*M80 M83 M84	MODEL	* M80 DC		M83 DC		M84 DC	
		Volt DC	12v	24v	12v	24v	12v
	No load AMPS	0.96	1.44	1.5	1.2	2.2	2.4
	Max Effy speed in Rpm	4340	5360	6415	6550	8525	9760
	Running torque in Ncm	0.32	0.43	0.63	0.53	0.86	0.86
Ø 28 x 49 mm							
M51	MODEL	M51					
	Volt AC	12, 24, 36, 110, 230v					
	No load AMPS	3.6					
	Max Effy speed in Rpm	500					
	Running torque in Ncm	0.55					
Ø 50 x 15 mm							
*M41	MODEL	*M41					
	Volt AC	12, 24, 36, 110, 230v					
	No load AMPS	5.5					
	Max Effy speed in Rpm	500					
	Running torque in Ncm	1.5					
Ø 50 x 15 mm							
M52 & *M72	MODEL	M52	*M72 15° Stepper				
	Volt	AC 12, 24, 36, 110, 230v	DC 12v				
	No load AMPS	4	5.5				
	Max Effy speed in Rpm	500	24 Steps per rev				
	Running torque in Ncm	1.6	2				
Ø 50 x 30 mm							
M54 & *M74	MODEL	M54	*M74 15° Stepper				
	Volt	AC 12, 24, 36, 110, 230v	DC 12v				
	No load AMPS	6.1	11				
	Max Effy speed in Rpm	500	24 per rev				
	Running torque in Ncm	3.2	4				
Ø 50 x 60 mm							



A: 3.7 D: 24 G: 13.5
B: 55.4 E: 14.5 H: 66.2
C: 24 F: 13 I: 53.3
Output shaft Ø 4 mm

*W01 = Max Torque 80Ncm
*W02 = Max Torque 150Ncm

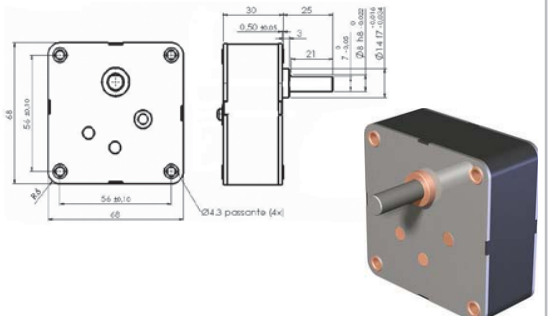
RATIOS 8.3, 10, 20, 25, 50, 83, 125, 166, 250, 500, 1000, 1250, 25K, 50K up to 18 Million



A: 4.5 D: 24 G: 22.6
B: 59 E: 21.5 H: 82
C: 24 F: 13 I: 54
Output shaft Ø 8 mm

*W10 = Max Torque 200Ncm
*W11 = Max Torque 200Ncm
*W12 = Max Torque 250Ncm
*W13 = Max Torque 500Ncm

RATIOS 8.3, 16, 25, 50, 83, 125, 250, 500, 1000, 5000



Dimensions 68 x 68 x 30/38 mm *W20 = Max Torque 6 Nm
Output shaft Ø 8 mm
Max. input speed = 3000 rpm
W20 RATIOS 6,25 to 5000

VOLTAGES AVAILABLE:
12, 24, 48, 110, 220 AC - 50 / 60 Hz
12v - 24v DC

* DC to AC CONVERTERS also AVAILABLE

FORMULA:

- A. Motor RPM ÷ Required Output Speed = Gear Ratio.
- B. Motor Torque x Gear Ratio x 0.6 Efficiency = Output Torque (Ncm)
- C. Be aware of Max Tq Permitted

(SPECS FOR GUIDELINES ONLY)



Member: Mr P. Birkett

Company Reg # 1989/001275/23

VAT Reg # 4500121290

HWP 06052010